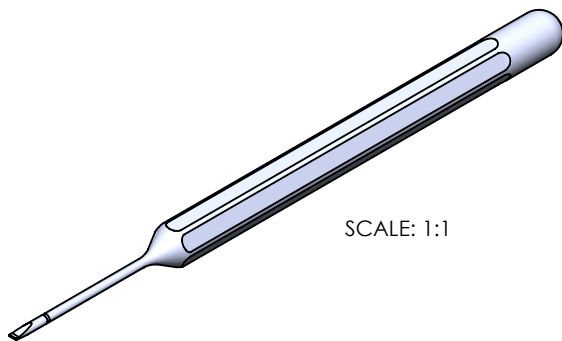


DETAIL A  
SCALE 8 : 1



UNLESS OTHERWISE SPECIFIED: DIMENSIONS ARE IN INCHES			TOLERANCES: X.XX= ±0.13 X.XXX= ±0.015 X.XXXX= -0.0015
DRAWN	NAME	SIGN	DATE
APPVD	A.T.		08.23.19

MATERIAL: 465 MAGNETIC S.S.

THIS DRAWING IS THE PROPERTY OF STERITool, INC. ANY REPRODUCTIONS OR MODIFICATIONS OF THIS DRAWING OR ITS CONTENTS WITHOUT THE CONSENT OF STERITool, INC. IS PROHIBITED.



TITLE: 1.3MM PARALLEL TIP PRECISION MINI SCREWDRIVER

PART NO.	11239	REV:	A
SCALE: 2:1	SHEET 1 OF 1		